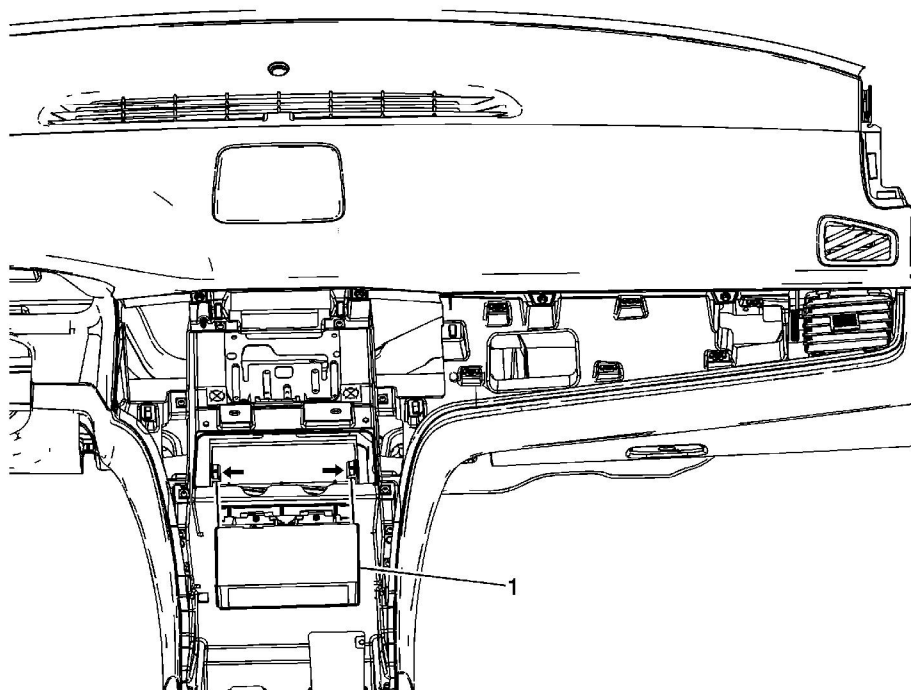


Communication Interface Module Replacement (Cadillac)



Callout	Component Name
Preliminary Procedure	
<ol style="list-style-type: none"> 1. Remove the instrument Panel Accessory Trim Plate. Refer to Instrument Panel Accessory Trim Plate Replacement. 2. Remove the radio. Refer to Radio Replacement. 3. Remove the HVAC Control Module. Refer to HVAC Control Module Replacement or HVAC Control Module Replacement. 	
1	<p>Communication Interface Module</p> <p>Tip</p> <ul style="list-style-type: none"> • Push outward on the two tabs to release the communication interface module from the bracket. • Disconnect the electrical connectors. • When replacing the communication interface module be sure to transfer Bluetooth Antenna, if equipped. • Reprogram the communication interface module after replacement. Refer to Control Module References.

© 2012 General Motors Corporation. All rights reserved.